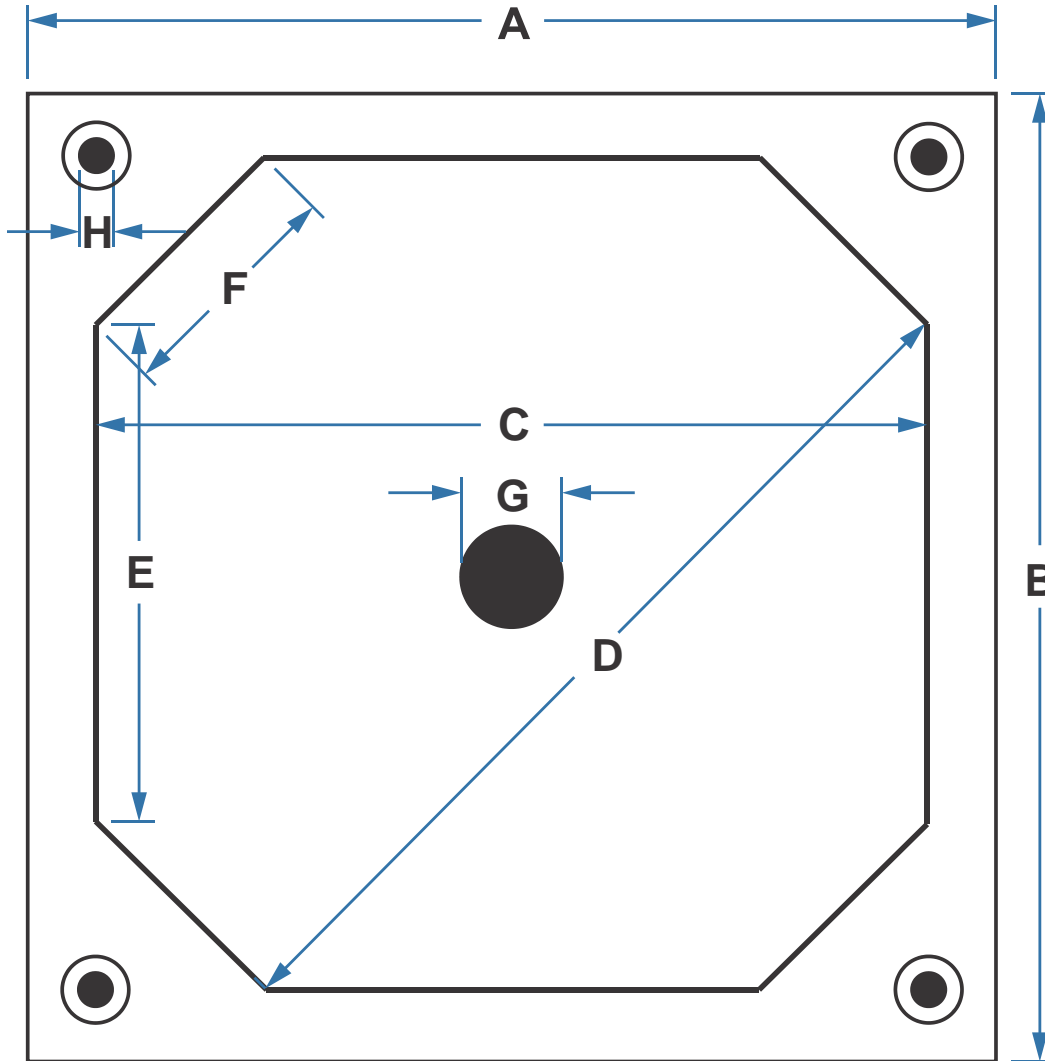




**Caulked Gasketed Recessed Chamber (CGR)
Filter Press Plate Questionnaire**



Please measure to the outside edge of the cloth groove.

Filter Press Manufacturer:	
Filter Plate Manufacturer:	
Are O-Rings on the same side:	
What is the Plate Thickness:	
Are the Plate Edges Rounded or Square:	
Does the Plate Surface have Dots, Channels, or Bricks:	
Is the filter press 100 or 225 PSI:	
Are all Corner holes ported:	

A. Plate Width	
B. Plate Height	
C. Side to Side	
D. Diagonal	
E. Long Side	
F. Short Side	
G. Center Hole Diameter	
H. Corner Hole Diameter	

If you have any questions please contact us at:

Sales@albaxinc.com Phone: 630-758-1072 Fax: 630-758-1074